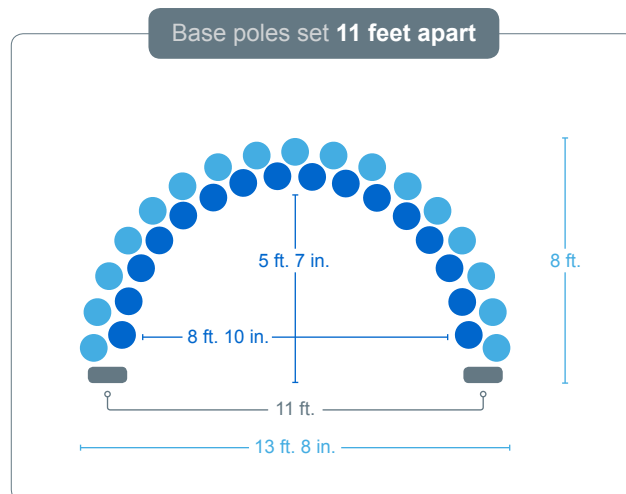
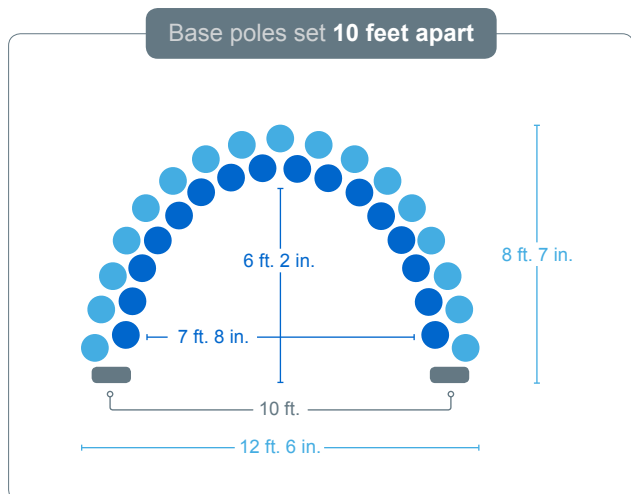
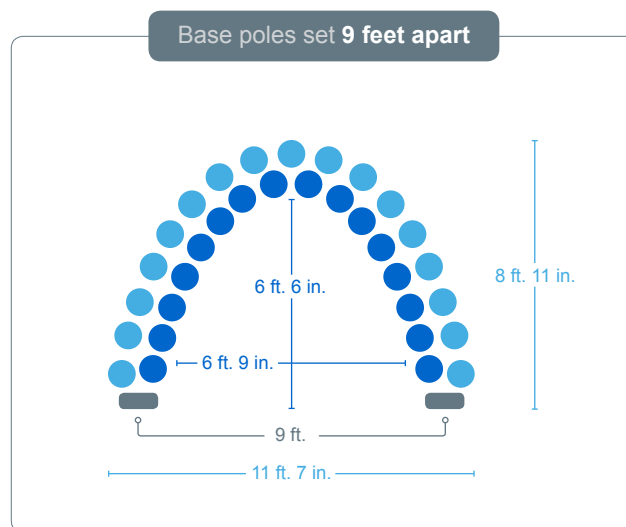
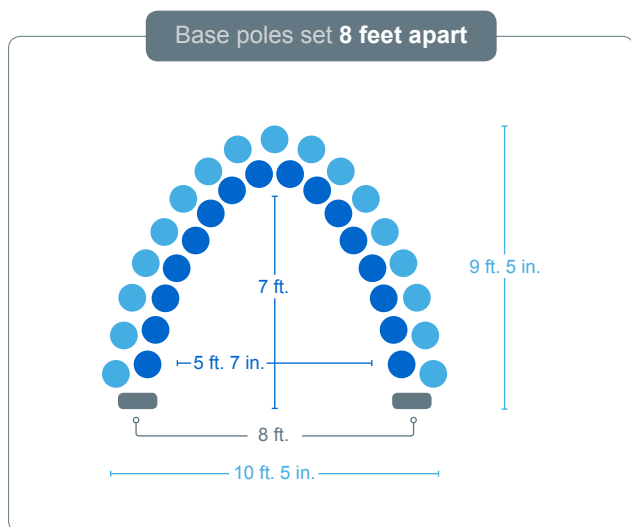


Latex arch measurements

The following diagrams illustrate the various variations for Zephyr Arch Kits when using latex balloons inflated to 11 inches. Notice that the wider you set your base poles apart, the shorter in height your balloon arch will become, and vice versa.



Have a helium referral? You could get a big check from Zephyr.

It's all about who you know. Zephyr supplies helium to retail chains and high-volume stores all over the world. We're the only wholesale helium supplier with a distribution network throughout all 50 United States, and we're growing. This is your chance to help our effort, and in the process, maybe even get a 4-, 5, or even 6-figure reward! If you know someone in a buying capacity for helium and your referral results in a 36-month service agreement, we will send a bonus check to your door. [Click for Zephyr's Helium Referral Program](#)